

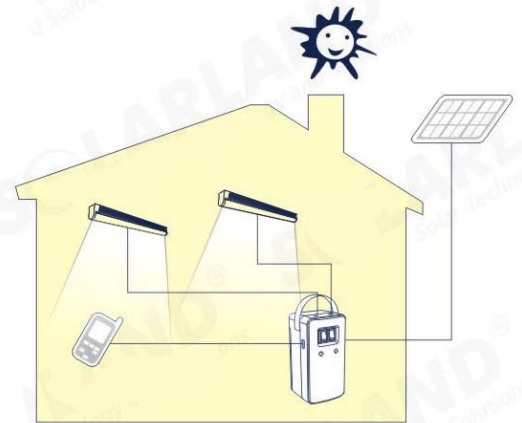
Solar Powerpack

10 Watt

More Product information, Please contact us !



The life of Lithium battery is **2 times** of the Lead-Acid battery.



ส่วนประกอบ



Solar Panel



LED Tube Light



Mobile Charge Wire

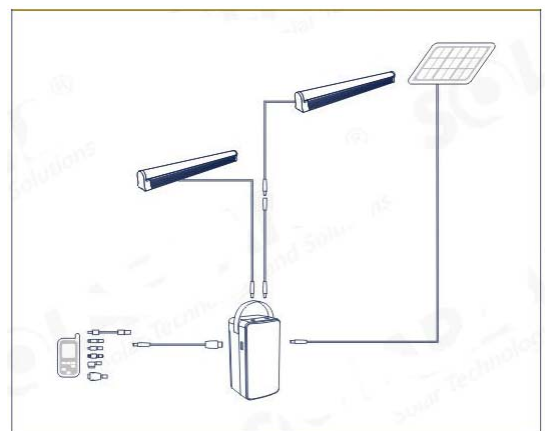


Phone Charger Adapters



Extension Wire

การเชื่อมต่อ



Power Consumption



Brightness



Packing Information

1set/Carton: 365x125x320mm
 N.W: 6.5kgs
 G.W: 7.0kgs
 1890sets/20' 3948sets/40'